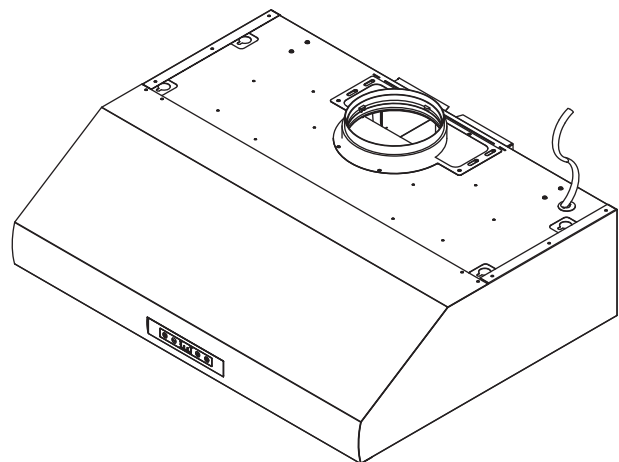


# PACIFIC

## Use, Care, and Installation Guide

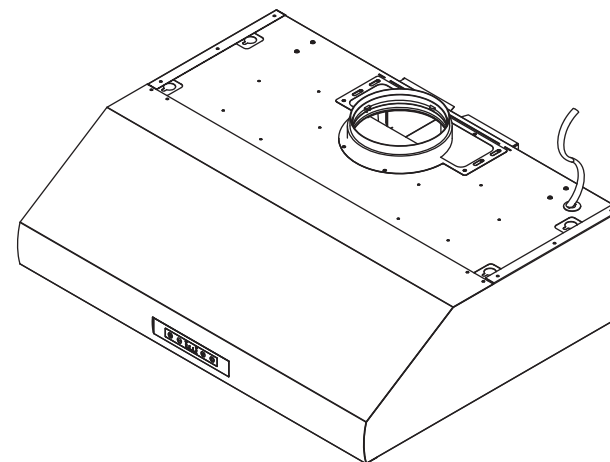
Model: PR830BS / PR836BS



# PACIFIC

## 抽油煙機使用說明書

型號: PR830BS / PR836BS



Model number: \_\_\_\_\_

Serial Number: \_\_\_\_\_

XP022469(1)



抽油機型號: \_\_\_\_\_

序 號: \_\_\_\_\_

XP022469(1)

---

---

---

## Table of Content

I. Product Functions/Performance Specification Chart ..	1
II. Parts Instructions .....	2
III. Installation Guidelines .....	3
IV. Installation Procedures .....	4
V. Venting Instruction.....	5
VI. Installation Air outlet .....	6~7
VII. Operating Instructions .....	8
VIII. Replacing Light Bulb .....	9
IX. Surface Maintenance .....	10
X. Troubleshooting .....	11

---

## 目錄

一.功能簡介/性能規格表.....	1
二.配件說明.....	2
三.安裝原則.....	3
四.安裝步驟.....	4
五.安裝排風管 .....	5
六.安裝出風口.....	6~7
七.按鍵說明.....	8
八.移除燈泡.....	9
九.機身表面保養和清潔 .....	10
十.排除故障.....	11

## 一.功能簡介/性能規格表

### A.功能簡介

1. 3速風速選擇。
2. 可控制燈的開/關，具亮、暗二段調整。

### B.性能規格表

型 號	PR830BS	PR836BS
淨 重 (英磅)	42.9 磅	45.5 磅
尺 寸(英吋)	30" x 22.5" x 8"	36" x 22.5" x 8"
最大伏特數	120V – 60Hz	120V – 60Hz
風 管 直 徑	圓型 6吋,方型3-1/4" x 10"吋	圓型 6吋,方型 3-1/4" x 10" 吋
燈 泡	鹵素燈 35W x 2	鹵素燈 35W x 2
最大消耗功率	2A/225W	2A/225W

## I. Product Functions/Performance Specification Chart

### A. Product Functions

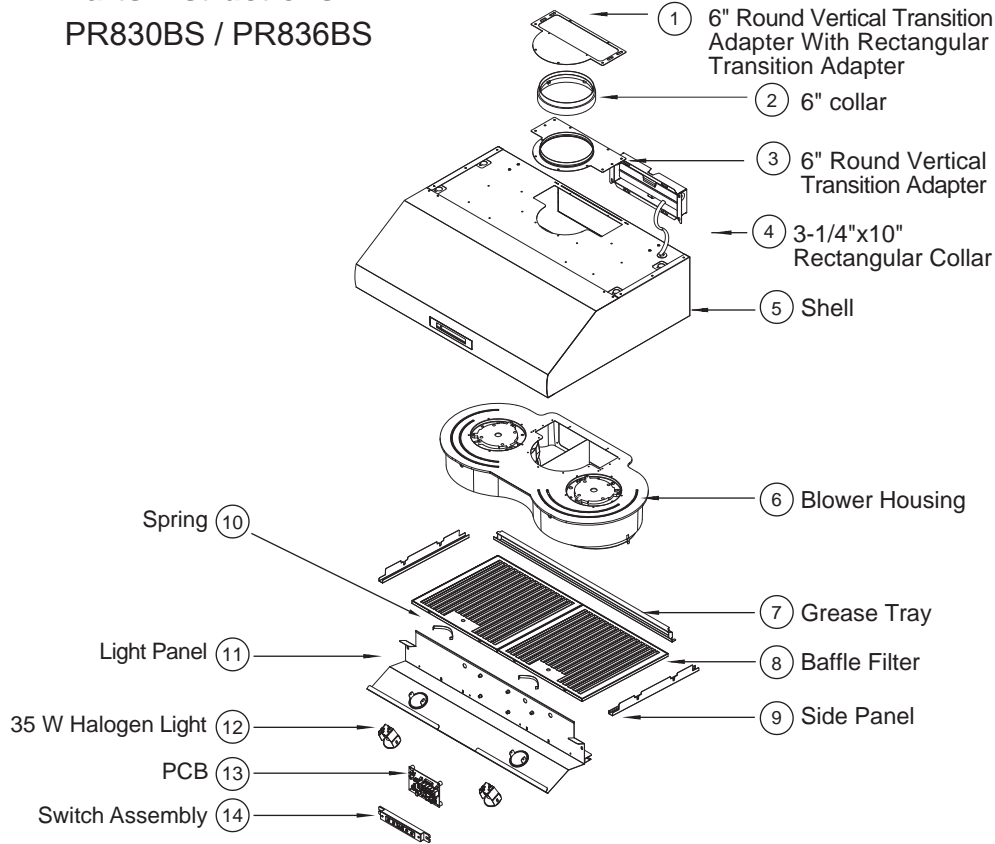
1. 3-speed options.
2. Light has varying degrees of brightness: Bright, Dim and Off.

### B. Specification Chart

Models	PR830BS	PR836BS
Net weight(Pound)	42.9 lbs	45.5 lbs
Measurement (inches)	30" x 22.5" x 8"	36" x 22.5" x 8"
Maximum Voltage	120V – 60Hz	120V – 60Hz
Exhaust Pipe Diameter	Round 6 inches Square 3-1/4" x 10" inches	Round 6 inches Square 3-1/4" x 10" inches
Light	Halogen light 35W x 2	Halogen light 35W x 2
Maximum consumption power	2A/225W	2A/225W

## II. Parts Instructions

PR830BS / PR836BS

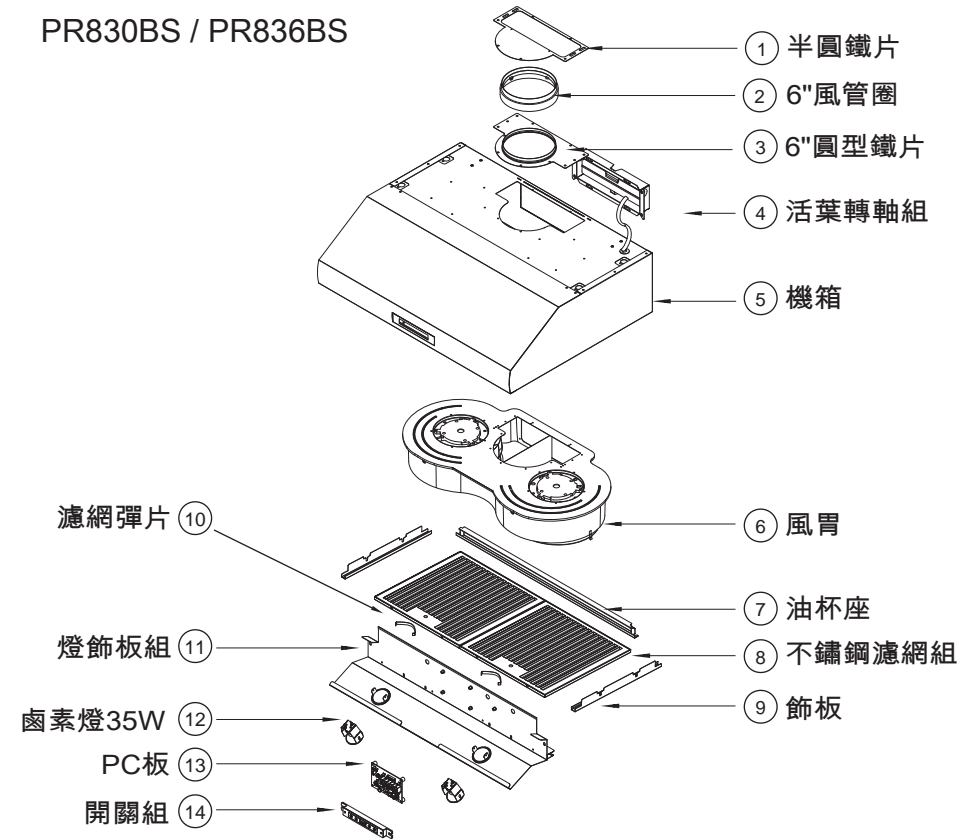


### HARDWARE PACKAGE CONTENTS

TYPE		DESCRIPTION	N°
A		Wire Nuts	3
B		5 x 12 x 1T Washers	4
C		3/16 x 1/2 screws	4
D		M6 x 1-1/2" wood screws	4
E		M6 x 2" wood screws	4
F		M6 x 1" wood screws	4
G		Wall brackets	2
H		Halogen light suction cup	1

## 二. 配件說明

PR830BS / PR836BS



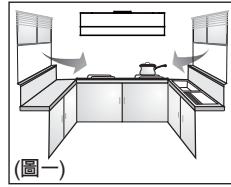
### 螺絲包配件:

序號		種類	數量
A		P3螺母	3
B		5 x 12 x 1T 華司	4
C		3/16 x 1/2 平頭田九十字螺絲	4
D		M6 x 1-1/2吋木螺絲	4
E		M6 x 2吋木螺絲	4
F		M6 x 1吋木螺絲	4
G		吊掛組	2
H		鹵素燈拆裝吸盤	1

### 三. 安裝原則

#### 1. 周圍環境(圖一):

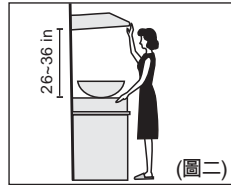
抽油煙機安裝位置，如在窗上 或附近有太多門窗，請在開動抽油煙機前，先關閉門窗，以免空氣對流大而影響吸力，因當油煙上昇未至10吋之有效吸力範圍，則無法充分發揮抽油煙最佳效果。



門窗太多、對流太大

#### 2. 安裝高度(圖二):

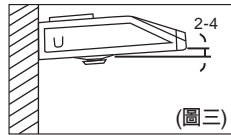
安裝高度自本機底板至煮食爐面之距離以26~36吋為最理想。



#### 3. 機體應保持水平(圖三):

機體應保持前、後、左、右水平，以免氣流箱，導油盆積油而溢出。

左、右水平可由掛碼調整，前、後水平則由鋼丁螺絲鎖緊牆壁，以固定標準。



#### 4. 排風管:

為增加吸力效能，請配合使用本機出風管接頭之直徑6吋排風管，排風管長度應以適合長度最佳，不宜過長。

#### 5. 插座安排:

請勿與烤箱或冰箱等耗電量較高之電器產品共用一個插座。

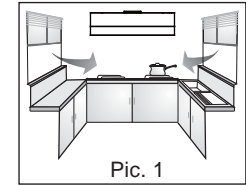


3.

### III. Installation Guidelines

#### 1. Surrounding Environment (Pic.1)

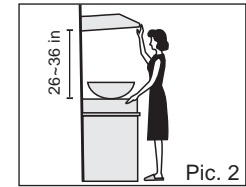
Notice the surrounding of cooker hood. If there are too many windows or a door nearby, it is advisable to close the windows and door before switching on the cooker hood to prevent the external air current from affecting the suction. The smoke has to rise up to 10 inches from the stove/grate to be within the range of suction efficiency.



Too many windows, too much air current.

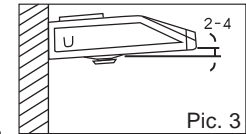
#### 2. Installation Heights (Pic.2)

The ideal installation height is a distance of 26 to 36 inches from the bottom of the hood to the surface of the stove top.



#### 3. Hood installed in parallel and horizontal level (Pic.3)

The front, back, right and left of hood must be in parallel and horizontal level, to avoid the oil in the oil tub from spilling over. To ensure that the hood is leveled when installing, it can be measured by the hook mark for the left and right side; and the screws fixed securely onto the wall to ensure the front and back of the hood are parallel.



#### 4. Exhaust duct

In order to increase the efficiency of hood efficiency of hood, recommending using the provided 6 inch duct to maintain maximum air flow efficiency; the length of duct must to be minimized.

#### 5. Socket arrangement

Please do not arrange the hood socket with the other high electricity consumption appliances.



3.

## IV. Installation Procedures

Hood is designed for installation under a kitchen cabinet.  
See Fig.1 for details.

1. Prepare duct location on hood (vertical or horizontal).
2. Measure and cut out duct and electrical openings in cabinet or wall to match up with the hood. Make sure duct opening is large enough to apply aluminum duct tape.
3. Reinforce cabinet bottom with wood strips if additional strengthening is required or if cabinets are framed.
4. Remove baffle filters from hood. Also remove side panels from hood using a Phillips screwdriver to remove each of the screws. And then remove the grease tray.
5. Use 4 wooden screws to secure the hood to the bottom of the cabinet.
6. Lift hood onto screws located on cabinet bottom and lock into place. Make sure all (4) key-holes cover the screws. Tighten each screw to secure hood to cabinet.
7. Install electrical.
8. Install ductwork and seal with aluminum duct tape.
9. Power up hood and check for leaks around duct tape and test all functions.
10. Reinstall grease tray, side panels and baffle filters.

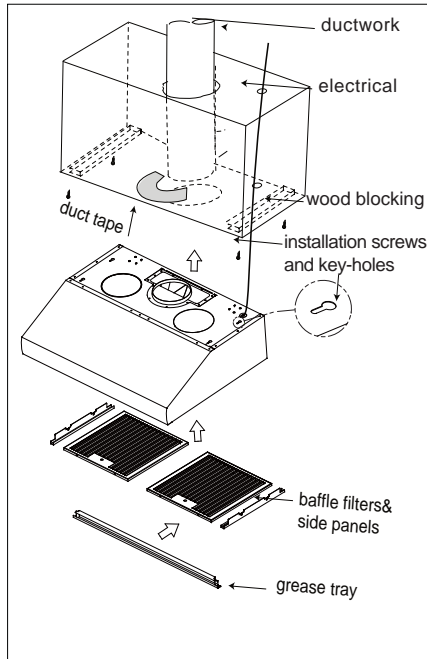
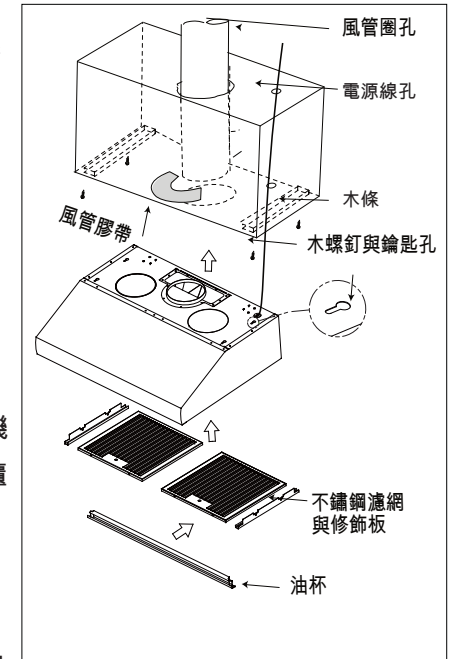


Fig 1

## 四. 安裝步驟

櫥櫃安裝說明:(如圖一)

1. 請準備安裝位置及空間。
2. 測量出風口及電源線孔的大小，然後再鑽孔。
3. 櫥櫃需加強本機固定的地方，建議使用木條強化在櫥櫃內底部。
4. 請先卸下不鏽鋼濾網，再用十字起子移除兩側修飾板，並取下不鏽鋼油杯。
5. 依安裝位置設置四支木螺釘。
6. 安裝時用木螺釘扣上之後，將油機與櫥櫃用螺絲鎖緊，讓油機與櫥櫃安全不會掉落。
7. 裝設電源。
8. 安裝風管並用風管膠帶密封。
9. 檢查風管處是否緊密及其他功能是否正常。
10. 依序將不鏽鋼油杯、修飾板及不鏽鋼濾網重新安裝回去。



圖一

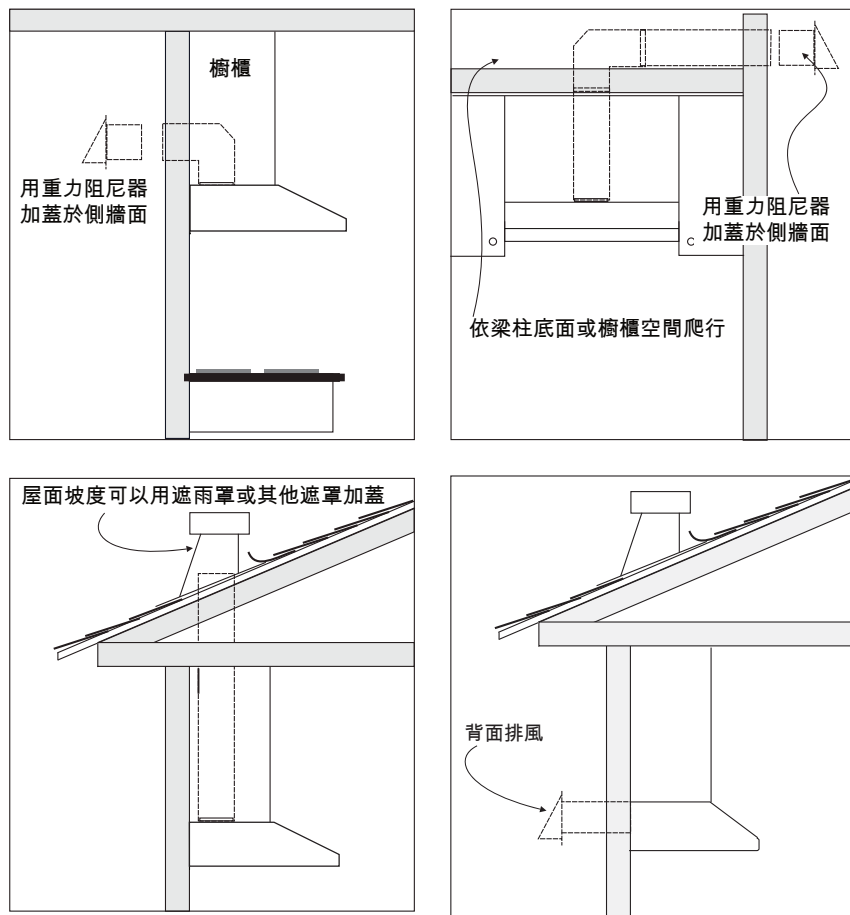
## 五. 安裝排風管

### 櫥櫃安裝注意事項:

安裝之風管、牆壁、櫥櫃空間、天花板或車庫與閣樓之間的空間都要有所保留。風管只能使用金屬材質。

安裝之連接處的金屬螺絲要鎖緊，接頭處要用有認證的銀膠帶或風管膠帶貼緊。

### 風管安裝選項:



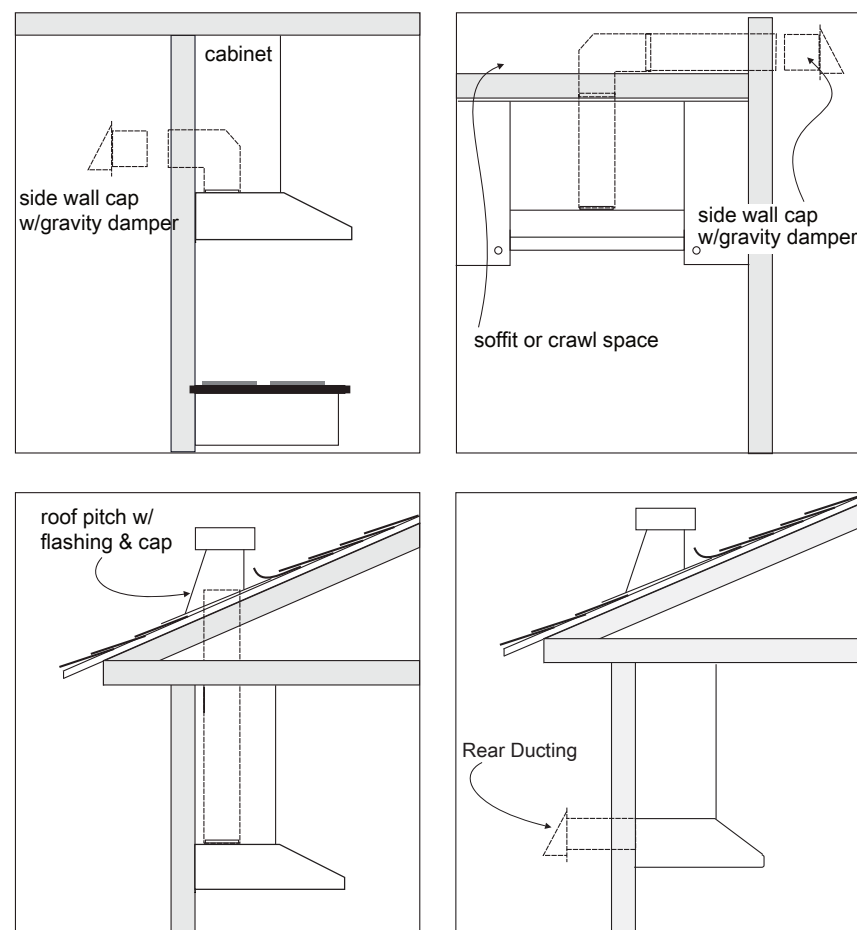
## V. Venting Instruction

### WARNING FIRE HAZARD

NEVER exhaust air or terminate duct work into spaces between walls, crawl spaces, ceiling, attics or garages. All exhaust must be ducted to the outside. Use metal ductwork only.

Fasten all connections with sheet metal screws and tape all joints with certified Silver Tape or Duct Tape.

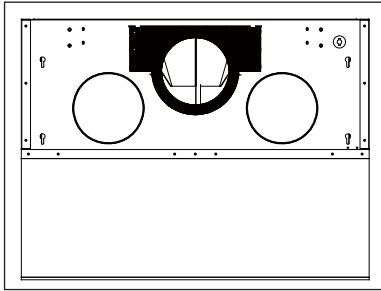
### Some Ducting Options



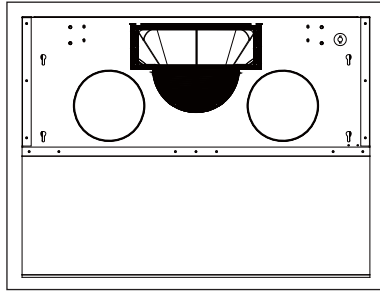


## VI. Installation Air outlet

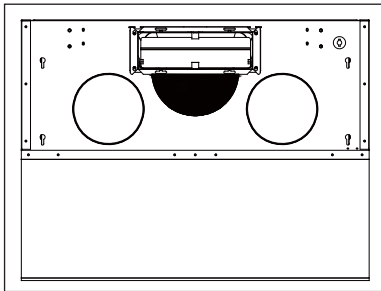
By default the PR830/836BS is pre-configured for 6" round vertical ducting.  
**3-1/4"x10" Rectangular Vertical Ducting**



1. Using a Philips-head screwdriver remove the screws and 6" round vertical transition adapter from top of hood body.

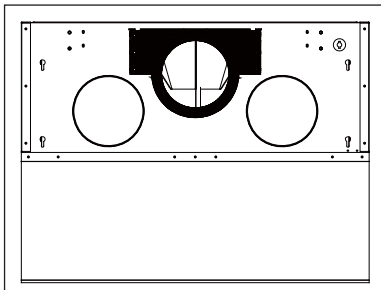


2. Replace 6" round vertical transition adapter with rectangular transition adapter. Do not secure to hood body yet.

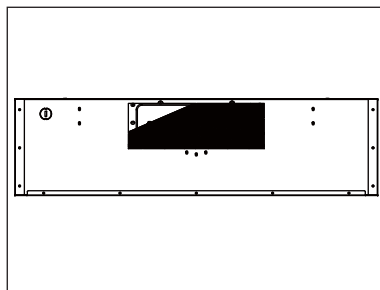


3. Place 3-1/4"x10" rectangular collar on top of rectangular transition adapter. Secure rectangular adapter and rectangular collar to hood body using the previously removed screws from step 1.

### 3-1/4"x10" Rectangular Horizontal Ducting



1. Using a Philips-head screwdriver remove the screws and 6" round vertical transition adapter from the top of the hood.



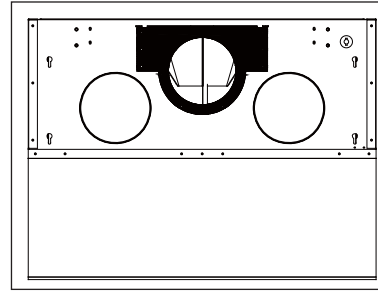
2. Using a flat head screwdriver or diagonal cutter, remove 3-1/4"x10" rectangular knock-out cover plate from back of hood.

6.

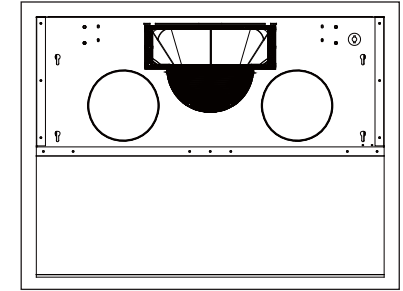
## 六. 安裝出風口

在預裝情況下 PR830/836BS 安裝6"圓型排風管接頭。

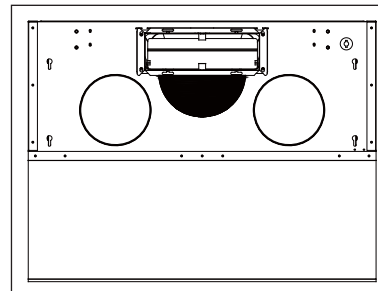
**上方排風:** 安裝3-1/4"x10"方型風管圈。



1. 使用十字螺絲起子，移除機體上方的螺絲和6"圓型排風管接頭。

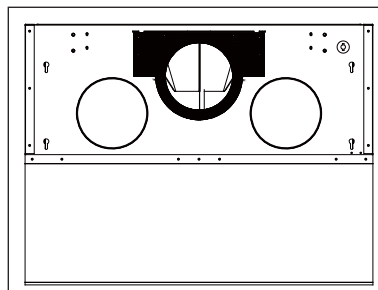


2. 更換6"圓型轉方型排風管接頭，且先不固定於機體上。

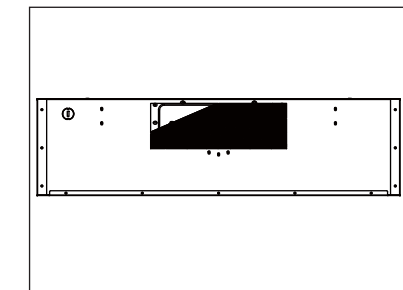


3. 將3-1/4"x10"方型風管圈安裝於6"圓型轉方型排風管接頭上方。使用步驟1移除螺絲，將風管圈和排風管接頭鎖固於機體上。

**後方排風:** 安裝3-1/4"x10"方型風管圈。



1. 使用十字螺絲起子，移除機體上方的螺絲和6"圓型排風管接頭。

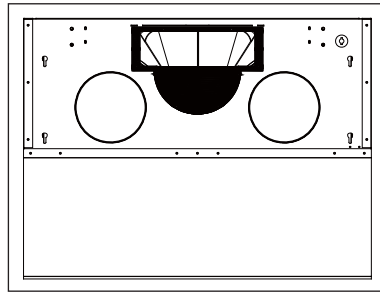


2. 使用一字型螺絲起子或斜口鉗沿著方型輪廓線將機體後方的3-1/4"x10"方型金屬蓋移除。

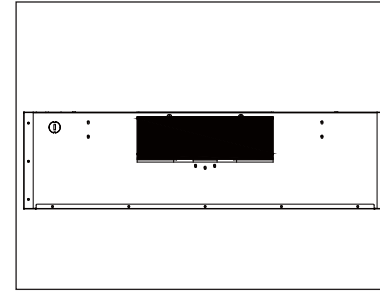
6.



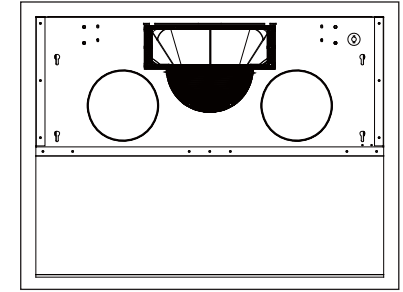
3. 使用十字螺絲起子，移除機體後方3-1/4"x10"的方型金屬蓋螺絲。



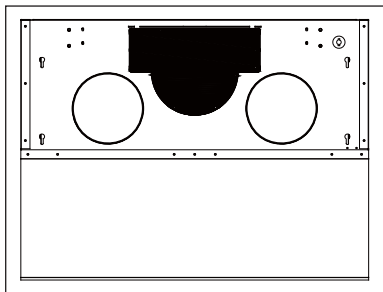
4. 更換 6"圓型轉方型排風管接頭，但先不固定於機體上。



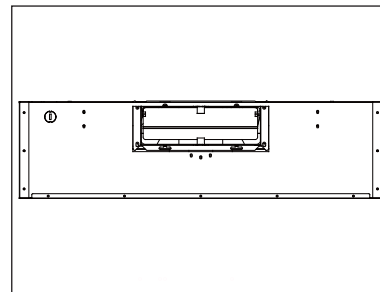
3. Using a Philips-head screwdriver, remove the screws and 3-1/4"x10" rectangular cover plate from back of hood.



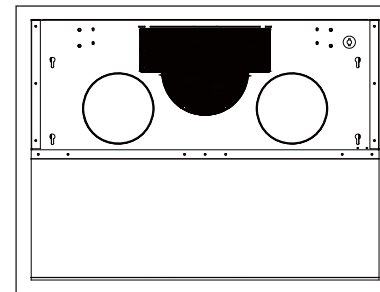
4. Replace 6" round vertical transition adapter with rectangular transition adapter. Do not secure to hood body yet.



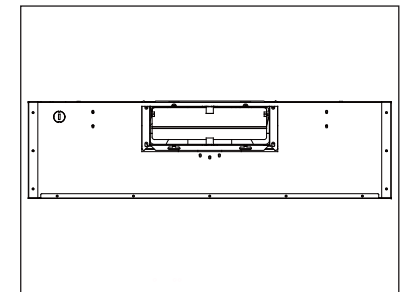
5. 將3-1/4"x10"方型金屬蓋置於步驟3的6"圓型轉方型排風管接頭上方，並使用步驟1移除螺絲，將風管圈和排風管接頭鎖固於機體上。



6. 將3-1/4"x10"方型風管圈置於機體後方，並使用原本用來鎖固3-1/4"x10"方型金屬蓋的螺絲鎖固於機體後方。

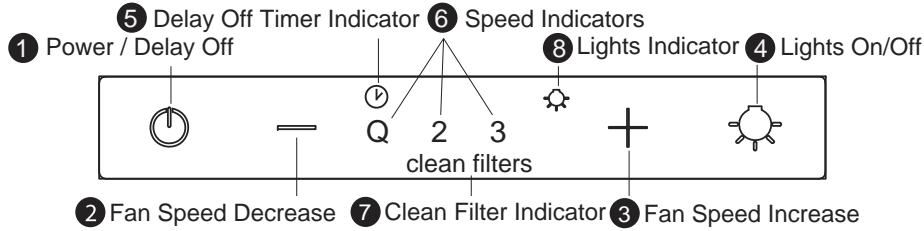


5. Place 3-1/4"x10" rectangular cover plate over the rectangular opening on top of hood from step 3. Secure rectangular transition adapter and cover plate to hood body using the previously removed screws from step 1.



6. Place 3-1/4"x10" rectangular collar on back of hood and secure using the screws that previously secured the rectangular cover plate.

## VII. Operating Instructions



### 1. Power / Delay Off Button

- Button will turn power on and off for entire hood (fan) and lights
- Hood will remember the last speed and light level it was last turned off at. (Example: Press button to turn off hood when on fan speed 3 and high lights. Press button again and the hood will turn back on at speed 3 and high lights).

#### Delay Off

- With the fan on, press and hold the button for three seconds. The fan will change to speed 1 and the 5 minute delay off timer will start.
- Pressing button while delay off function is enabled will turn the hood off and cancel the delay off function.

### 2. Fan Speed Decrease Button

- Press this button to decrease fan speed. 3, 2, Q (Quiet).
- If fan is off, press this button to turn on fan at last speed it was turned off at.

### 3. Fan Speed Increase Button

- Press this button to increase fan speed. Fan on, Q (Quiet), 2, 3
- If fan is off, press this button to turn on fan at last speed it was turned off at.

### 4. Lights Button

- Lights are two levels, high and low.
- From off, press one time for high. Press again for low. Press again to power lights off.

### 5. Delay Off Indicator

- When delay off function is activated, delay off indicator light will turn on indicating the delay off 5 minute timer has started.
- After 5 minutes the fan, lights and delay off indicator will automatically turn off.

### 6. Speed Level Indicators

- Fan is three speed levels. Q (Quiet), 2 and 3.

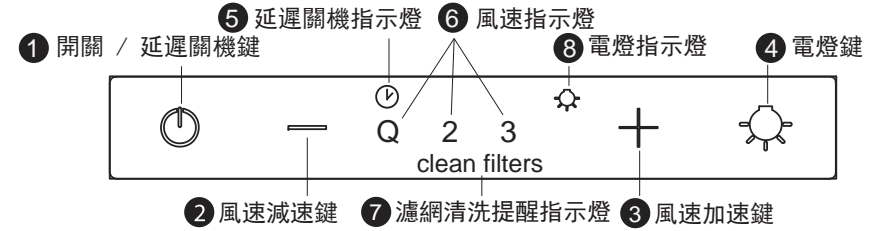
### 7. Clean Filters Indicator

- After 30 hours of fan usage, the clean filters indicator will turn on indicating it is time to clean the mesh filters.
- To Reset: With hood off: hold the button for three seconds. The clean filters indicator will turn off confirming the 30 hour timer has been reset.

### 8. Lights Indicator

- When lights are on high or low, lights indicator will illuminate.

## 七. 按鍵說明



### 1. 開關 / 延遲關機鍵

#### 開關

- 按 鍵可開啟或關閉排油煙機 (包含風扇和照明)。
- 此按鍵有記憶功能，自第二次使用會在上次關機的速度和電燈段數啟動。(例如: 在高速和電燈全亮按 鍵關閉排油煙機。再次按 鍵排油煙機會在高速和電燈全亮的狀態下啟動。)

#### 延遲關機

- 風扇啟動時，按 鍵3秒鐘可啟動延遲關機功能。風扇會自動進入低速，並開始5分鐘延遲關機倒數。
- 當延遲關機啟動時按 鍵取消延遲關機功能，並關閉排油煙機。

### 2. 風速減速鍵

- 按此鍵可遞減風速。3 -> 2 -> Q (靜音)。
- 在風扇停止運轉時，按風速減速鍵即以上次關機之速度啟動。

### 3. 風速加速鍵

- 按此鍵可遞增風速。Q (靜音) -> 2 -> 3。
- 在風扇停止運轉時，按風速加速鍵即以上次關機之速度啟動。

### 4. 電燈鍵

- 電燈有兩段，全亮和微亮。
- 按第一次為全亮; 按第二次為微亮; 再按一次可關閉電燈。

### 5. 延遲關機指示燈

- 當啟動延遲關機功能時，延遲關機指示燈會亮起代表5分鐘倒數計時器已啟動。
- 5分鐘後風扇、電燈和延遲關機指示燈會自動關閉。

### 6. 風速指示燈

- 共有三種風速。Q (靜音)、2速和3速。

### 7. 濾網清洗提醒指示燈

- 風扇使用累積30小時後，濾網清洗提醒指示燈會亮起，代表需要清洗濾網。
- 解除提醒: 在排油煙機關閉時，按 3秒後指示燈會關閉，代表30小時濾網清洗提醒重新累計。

### 8. 電燈指示燈

- 當開啟電燈全亮或微亮，電燈指示燈會亮起。

## 八. 移除燈炮

鹵素燈移除注意：

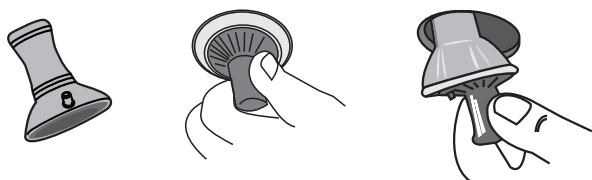
當油煙機在運轉或經過長期運轉後請小心燈泡高溫。

請等待冷卻後再移除燈泡。

請再三確定油煙機電源關閉以及燈泡冷卻後再行移除。

請用黑色吸盤(隨機附上)，以順時針旋轉拆除，並參考以下圖示移除燈泡。

請洽經銷商購買新燈泡。

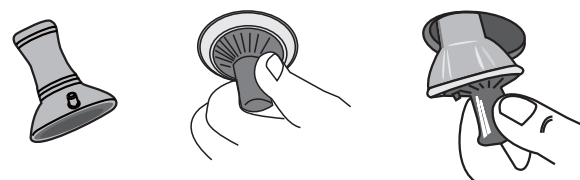


## VIII. Replacing Light Bulb

**Halogen light:**

When the range hood is activated or has been running for a long time, be careful when handling the light bulb as it may be too hot to handle. Please double check to make sure the power supply to the range hood is shut off and the light bulb is cool before removing it.

Remove the Halogen bulb by turning it counter-clockwise to remove. The black rubber suction tool in the installation package, provided is for easier removal of the halogen light bulb.



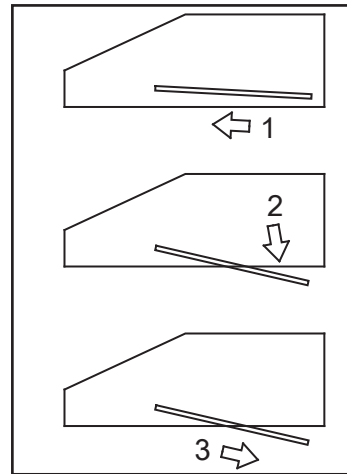
## IX. Surface Maintenance

### A. Surface Maintenance

1. Please clean the range hood surface regularly with warm soapy water and wipe with a cotton cloth to prevent grease from accumulating.
2. Please do not use harsh cleansers or coarse material to clean the surface because that will damage the surface.
3. A non-invasive stainless steel polish is recommended to polish the surface after cleaning.
4. Please use soft material for polishing because it will make your range hood surface shinier.
5. Please do not use cleaning solutions that have bleach as an ingredient.

### B. Surface Cleaning and Maintenance

1. Always disconnect from power supply before cleaning.
2. Clean both exterior and interior of the hood for long lasting. Do not use abrasive cleanser.
3. Filter can be placed in dishwasher. Dry filter and re-install before using hood.
4. No need to replace stainless steel baffle regularly, they are recommended to be cleaned every 30 hours of use, depending on cooking habit. (See below Figure to remove filters)
5. Make a habit of turning on the hood first before turning on the stove to avoid high temperature in the kitchen.



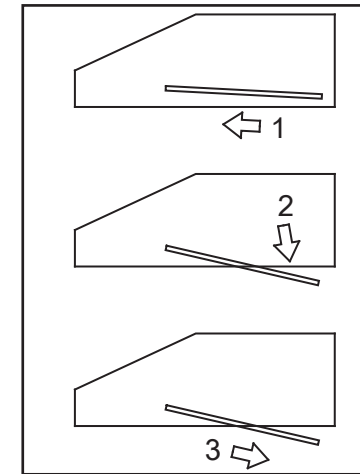
## 九.機身表面保養和清潔

### 一.機身表面保養

- 1.請定期以熱肥皂水和棉布擦拭機身以防油垢堆積。
- 2.請勿使用腐蝕性洗碗精和材質過粗的布料擦拭，以免傷害到機身表面。
- 3.擦拭完成後建議使用無刺激性的不鏽鋼拋光劑來進行第二次擦拭。
- 4.請使用軟布輕擦，您的油煙機表面將會更加光亮。
- 5.請勿使用含有漂白成分的清潔液。

### 二.保養和清潔

- 1.清潔前，務必要切斷電源。
- 2.定期清潔抽油煙機的內外側，可以保持抽油煙機壽命，切勿使用研磨性清潔劑。
- 3.不鏽鋼濾網不需要換，可放入洗碗機清洗。安裝前請擦乾。
- 4.建議每使用30小時後清潔一次不鏽鋼濾網，清潔完成後，必須重新裝回原位。(見下圖拆卸說明)
- 5.在開啟煮食爐前，請先開啟抽油煙機以免廚房溫度太高。



## 十. 排除故障

異常狀況	原因	處理方式
安裝後電機不運轉	1. 無電源輸入	1. 檢查斷路器，並確認電源已接上
	2. 電源線和閉端沒有正確的安裝	2. 確認電源線和油機被正確的連接
	3. 開關連接線與PC板鬆脫	3. 檢查線路是否接上
	4. 開關有問題	4. 更換開關
燈亮但電機不運轉	1. 馬達有問題，也許卡住了	1. 更換馬達
	2. 若運轉時馬達過熱將會啟動過熱保護系統並關閉馬達	2. 待過熱保護系統冷卻後，馬達將會再次正常運轉
	3. 電容器損壞	3. 更換電容器
	4. 馬達線路沒有連接	4. 確認馬達電線端子被正確地連接
機體震動	1. 馬達不牢固	1. 檢查並鎖固馬達
	2. 風葉輪損壞	2. 更換風葉輪
	3. 機體懸掛不牢固	3. 檢查並校準機體
電機運轉但燈不亮	1. 燈泡損壞	1. 更換燈泡
	2. 燈泡線和燈泡連接線鬆脫	2. 檢查線路是否接上
	3. 燈泡連接線和PC板鬆脫	3. 檢查線路是否接上
油機沒有正常排煙	1. 機體與爐面距離太大	1. 重新調整抽油煙機的高度，建議油煙機與爐面的距離在 26"到 36"範圍之間
	2. 機體周圍門窗太多，空氣對流太大	2. 適度關閉門窗
	3. 出風口或排氣管被阻塞	3. 清理阻塞物
	4. 出風口逆風現象(倒灌風)	4. 調整出風口的方向
	5. 排風管尺寸錯誤	5. 更換正確的排風管尺寸
金屬濾網震動	1. 金屬濾網鬆脫	1. 更換金屬濾網
	2. 彈片損壞	2. 更換彈片

## X. Troubleshooting

Issue	Cause	What to do
After installation, the unit doesn't work.	1. The power source is not turned ON.	1. Make sure the circuit breaker and the unit's power is ON.
	2. The power line and the cable locking connector is not connecting properly.	2. Check the power connection with the unit is connected properly.
	3. The wires on the switch and PCB are loose.	3. Make sure the wires are connected properly.
	4. The switch is defective.	4. Change the switch.
Light works, but motor is not turning.	1. The motor is defective, possible seized.	1. Change the motor.
	2. The thermally protected system detects if the motor is too hot to operate and shuts the motor down.	2. The motor will function properly after the thermally protected system cool down.
	3. Damaged capacitor.	3. Change the capacitor.
	4. The motor wire is not connected.	4. Make sure the motor wire is plugged into the molex connector.
The unit is vibrating.	1. The motor is not secure in place.	1. Tighten the motor in place.
	2. Damaged blower wheel.	2. Change the blower wheel.
	3. The hood is not secured in place.	3. Check the installation of the hood.
The motor is working, but the lights are not.	1. Defective LED strip.	1. Change the LED strip.
	2. The LED strip wires is loose.	3. Make sure the wires is connected properly.
	3. The wires on LED strip and PCB are loose.	3. Make sure the wires are connected properly.
The hood is not venting out properly.	1. The hood might be hanging too high from the cook top.	1. Adjust the distance between the cook top and the bottom of the hood within 26" and 36" range.
	2. The wind from the opened windows or opened doors in the surrounding area are affecting the ventilation of the hood.	2. Close all the windows and doors to eliminate the outside wind flow.
	3. Blockage in the duct opening or duct work.	3. Remove all the blocking from the duct work or duct opening.
	4. The direction of duct opening is against the wind.	4. Adjust the duct opening direction.
	5. Using the wrong size of ducting.	5. Change the ducting to correct size.
Metal filter is vibrating.	1. Metal filter is loose.	1. Change the metal filter.
	2. Spring clip is broken.	2. Change the spring clip.